

Mini MIG & No. 1 Gun Assemblies



Mini Mig Gun



No. 1

MINI MIG GUN ASSEMBLIES WITH 'STANDARD' CONSUMABLES - 160 AMP AIR COOLED

WITH TWECO REAR CONNECTION (REQUIRES ADAPTER PLUG)		DESCRIPTION	WITH EURO-KWIK REAR CONNECTION	
STOCK NO.	PART NO.		STOCK NO.	PART NO.
1000-1121	23-10	.023/0,6 Wire 10 ft./3 m Cable	N/A	N/A
1000-1131	35-10	.035/0,9 Wire 10 ft./3 m Cable	1000-1631	X35-10
1000-1132	35-12	.035/0,9 Wire 12 ft./4 m Cable	1000-1632	X35-12
1000-1133	35-15	.035/0,9 Wire 15 ft./5 m Cable	1000-1633	X35-15
1000-1141	45-10	.045/1,2 Wire 10 ft./3 m Cable	N/A	N/A
1000-1142	45-12	.045/1,2 Wire 12 ft./4 m Cable	N/A	N/A
1000-1143	45-15	.045/1,2 Wire 15 ft./5 m Cable	N/A	N/A
WITH MILLER REAR CONNECTION		DESCRIPTION	WITH LINCOLN REAR CONNECTION	
STOCK NO.	PART NO.		STOCK NO.	PART NO.
1000-1210	M23-10	.023/0,6 Wire 10 ft./3 m Cable	N/A	N/A
1000-1211	M35-10	.035/0,9 Wire 10 ft./3 m Cable	1000-1231	L35-10
1000-1213	M35-12	.035/0,9 Wire 12 ft./4 m Cable	N/A	N/A
1000-1215	M35-15	.035/0,9 Wire 15 ft./5 m Cable	1000-1233	L35-15
1000-1212	M45-10	.045/1,2 Wire 10 ft./3 m Cable	N/A	N/A
1000-1214	M45-12	.045/1,2 Wire 12 ft./4 m Cable	N/A	N/A
1000-1216	M45-15	.045/1,2 Wire 15 ft./5 m Cable	N/A	N/A

NO.1 MIG-GUN ASSEMBLIES WITH 'STANDARD' CONSUMABLES - 160 AMP AIR COOLED

WITH TWECO REAR CONNECTION (REQUIRES ADAPTER PLUG)		DESCRIPTION	WITH EURO-KWIK REAR CONNECTION	
STOCK NO.	PART NO.		STOCK NO.	PART NO.
1010-1101	110-23	.023/0,6 Wire 10 ft./3 m Cable	N/A	N/A
1010-1111	110-3035	.035/0,9 Wire 10 ft./3 m Cable	N/A	N/A
1010-1112	112-3035	.035/0,9 Wire 12 ft./4 m Cable	N/A	N/A
1010-1113	115-3035	.035/0,9 Wire 15 ft./5 m Cable	N/A	N/A
1010-1121	110-4045	.045/1,2 Wire 10 ft./3 m Cable	1010-1621	X110-4045
1010-1122	112-4045	.045/1,2 Wire 12 ft./4 m Cable	1010-1622	X112-4045
1010-1123	115-4045	.045/1,2 Wire 15 ft./5 m Cable	1010-1623	X115-4045
WITH MILLER REAR CONNECTION		DESCRIPTION	WITH LINCOLN REAR CONNECTION	
STOCK NO.	PART NO.		STOCK NO.	PART NO.
1010-1130	M110-23	.023/0,6 Wire 10 ft./3 m Cable	N/A	N/A
1010-1131	M110-3035	.035/0,9 Wire 10 ft./3 m Cable	N/A	N/A
1010-1133	M112-3035	.035/0,9 Wire 12 ft./4 m Cable	N/A	N/A
1010-1135	M115-3035	.035/0,9 Wire 15 ft./5 m Cable	1010-1145	L115-3035
1010-1132	M110-4045	.045/1,2 Wire 10 ft./3 m Cable	N/A	N/A
1010-1134	M112-4045	.045/1,2 Wire 12 ft./4 m Cable	N/A	N/A
1010-1136	M115-4045	.045/1,2 Wire 15 ft./5 m Cable	N/A	N/A

No. 2 & No. 3 MIG Gun Assemblies



No. 2



No. 3

NO.2 MIG-GUN ASSEMBLIES WITH 'STANDARD' CONSUMABLES - 200 AMP AIR COOLED

WITH TWECO REAR CONNECTION (REQUIRES ADAPTER PLUG)		DESCRIPTION	WITH EURO-KWIK REAR CONNECTION	
STOCK NO.	PART NO.		STOCK NO.	PART NO.
1020-1111	210-3035	.035/0,9 Wire 10 ft./3 m Cable	1020-1611	X210-3035
1020-1112	212-3035	.035/0,9 Wire 12 ft./4 m Cable	1020-1612	X212-3035
1020-1113	215-3035	.035/0,9 Wire 15 ft./5 m Cable	1020-1613	X215-3035
1020-1121	210-4045	.045/1,2 Wire 10 ft./3 m Cable	1020-1621	X210-4045
1020-1122	212-4045	.045/1,2 Wire 12 ft./4 m Cable	1020-1622	X212-4045
1020-1123	215-4045	.045/1,2 Wire 15 ft./5 m Cable	1020-1623	X215-4045
WITH MILLER REAR CONNECTION		DESCRIPTION	WITH LINCOLN REAR CONNECTION	
STOCK NO.	PART NO.		STOCK NO.	PART NO.
1020-1130	M210-3035	.035/0,9 Wire 10 ft./3 m Cable	1020-1140	L210-3035
1020-1132	M212-3035	.035/0,9 Wire 12 ft./4 m Cable	1020-1142	L212-3035
1020-1134	M215-3035	.035/0,9 Wire 15 ft./5 m Cable	1020-1144	L215-3035
1020-1131	M210-4045	.045/1,2 Wire 10 ft./3 m Cable	1020-1141	L210-4045
1020-1133	M212-4045	.045/1,2 Wire 12 ft./4 m Cable	1020-1143	L212-4045
1020-1135	M215-4045	.045/1,2 Wire 15 ft./5 m Cable	1020-1145	L215-4045

NO.3 MIG-GUN ASSEMBLIES WITH 'STANDARD' CONSUMABLES - 300 AMP AIR COOLED

WITH TWECO REAR CONNECTION (REQUIRES ADAPTER PLUG)		DESCRIPTION	WITH EURO-KWIK REAR CONNECTION	
STOCK NO.	PART NO.		STOCK NO.	PART NO.
1030-1101	310-3545	.045/1,2 Wire 10 ft./3 m Cable	1030-1601	X310-3545
1030-1102	312-3545	.045/1,2 Wire 12 ft./4 m Cable	1030-1602	X312-3545
1030-1103	315-3545	.045/1,2 Wire 15 ft./5 m Cable	1030-1603	X315-3545
1030-1111	310-116	1/16-1,6 Wire 10 ft./3 m Cable	N/A	N/A
1030-1112	312-116	1/16-1,6 Wire 12 ft./4 m Cable	N/A	N/A
1030-1113	315-116	1/16-1,6 Wire 15 ft./5 m Cable	1030-1613	X315-116
WITH MILLER REAR CONNECTION		DESCRIPTION	WITH LINCOLN REAR CONNECTION	
STOCK NO.	PART NO.		STOCK NO.	PART NO.
1030-1130	M310-3545	.045/1,2 Wire 10 ft./3 m Cable	1030-1140	L310-3545
1030-1133	M312-3545	.045/1,2 Wire 12 ft./4 m Cable	1030-1143	L312-3545
1030-1136	M315-3545	.045/1,2 Wire 15 ft./5 m Cable	1030-1146	L315-3545



No. 4

NO.4 MIG-GUN ASSEMBLIES WITH 'STANDARD' CONSUMABLES - 400 AMP AIR COOLED

WITH TWECO REAR CONNECTION (REQUIRES ADAPTER PLUG)		DESCRIPTION	WITH EURO-KWIK REAR CONNECTION	
STOCK NO.	PART NO.		STOCK NO.	PART NO.
1040-1101	410-3545	.045/1,2 Wire 10 ft./3 m Cable	1040-1601	X410-3545
1040-1102	412-3545	.045/1,2 Wire 12 ft./4 m Cable	1040-1602	X412-3545
1040-1103	415-3545	.045/1,2 Wire 15 ft./5 m Cable	1040-1603	X415-3545
1040-1111	410-116	1/16-1,6 Wire 10 ft./3 m Cable	N/A	N/A
1040-1112	412-116	1/16-1,6 Wire 12 ft./4 m Cable	N/A	N/A
1040-1113	415-116	1/16-1,6 Wire 15 ft./5 m Cable	1040-1613	X415-116
1040-1121	410-564	5/64-2,0 Wire 10 ft./3 m Cable	N/A	N/A
1040-1122	412-564	5/64-2,0 Wire 12 ft./4 m Cable	N/A	N/A
1040-1123	415-564	5/64-2,0 Wire 15 ft./5 m Cable	N/A	N/A
WITH MILLER REAR CONNECTION		DESCRIPTION	WITH LINCOLN REAR CONNECTION	
STOCK NO.	PART NO.		STOCK NO.	PART NO.
1040-1130	M410-3545	.045/1,2 Wire 10 ft./3 m Cable	1040-1140	L410-3545
1040-1133	M412-3545	.045/1,2 Wire 12 ft./4 m Cable	1040-1143	L412-3545
1040-1136	M415-3545	.045/1,2 Wire 15 ft./5 m Cable	1040-1146	L415-3545
1040-1131	M410-116	1/16-1,6 Wire 10 ft./3 m Cable	1040-1141	L410-116
1040-1134	M412-116	1/16-1,6 Wire 12 ft./4 m Cable	1040-1144	L412-116
1040-1137	M415-116	1/16-1,6 Wire 15 ft./5 m Cable	1040-1147	L415-116
1040-1132	M410-564	5/64-2,0 Wire 10 ft./3 m Cable	N/A	N/A
1040-1135	M412-564	5/64-2,0 Wire 12 ft./4 m Cable	N/A	N/A
1040-1138	M415-564	5/64-2,0 Wire 15 ft./5 m Cable	N/A	N/A

No. 5 MIG Gun Assemblies



No. 5

NO.5 MIG-GUN ASSEMBLIES WITH 'STANDARD' CONSUMABLES - 500 AMP AIR COOLED

WITH TWECO REAR CONNECTION (REQUIRES ADAPTER PLUG)		DESCRIPTION	WITH EURO-KWIK REAR CONNECTION	
STOCK NO.	PART NO.		STOCK NO.	PART NO.
1050-1101	510-3545	.045/1,2 Wire 10 ft./3 m Cable	N/A	N/A
1050-1102	512-3545	.045/1,2 Wire 12 ft./4 m Cable	N/A	N/A
1050-1103	515-3545	.045/1,2 Wire 15 ft./5 m Cable	N/A	N/A
1050-1111	510-116	1/16-1,6 Wire 10 ft./3 m Cable	N/A	N/A
1050-1112	512-116	1/16-1,6 Wire 12 ft./4 m Cable	N/A	N/A
1050-1113	515-116	1/16-1,6 Wire 15 ft./5 m Cable	1050-1613	X515-116
1050-1131	510-332	3/32-2,4 Wire 10 ft./3 m Cable	N/A	N/A
1050-1132	512-332	3/32-2,4 Wire 12 ft./4 m Cable	N/A	N/A
1050-1133	515-332	3/32-2,4 Wire 15 ft./5 m Cable	N/A	N/A
WITH MILLER REAR CONNECTION		DESCRIPTION	WITH LINCOLN REAR CONNECTION	
STOCK NO.	PART NO.		STOCK NO.	PART NO.
1050-1172	M515-3545	.045/1,2 Wire 15 ft./5 m Cable	N/A	N/A
1050-1161	M510-116	1/16-1,6 Wire 10 ft./3 m Cable	N/A	N/A
1050-1167	M512-116	1/16-1,6 Wire 12 ft./4 m Cable	N/A	N/A
1050-1173	M515-116	1/16-1,6 Wire 15 ft./5 m Cable	N/A	N/A
1050-1175	M515-332	3/32-2,4 Wire 15 ft./5 m Cable	N/A	N/A

Note: All No.5 Mig-Guns are furnished with 5" Radius conductor tubes.



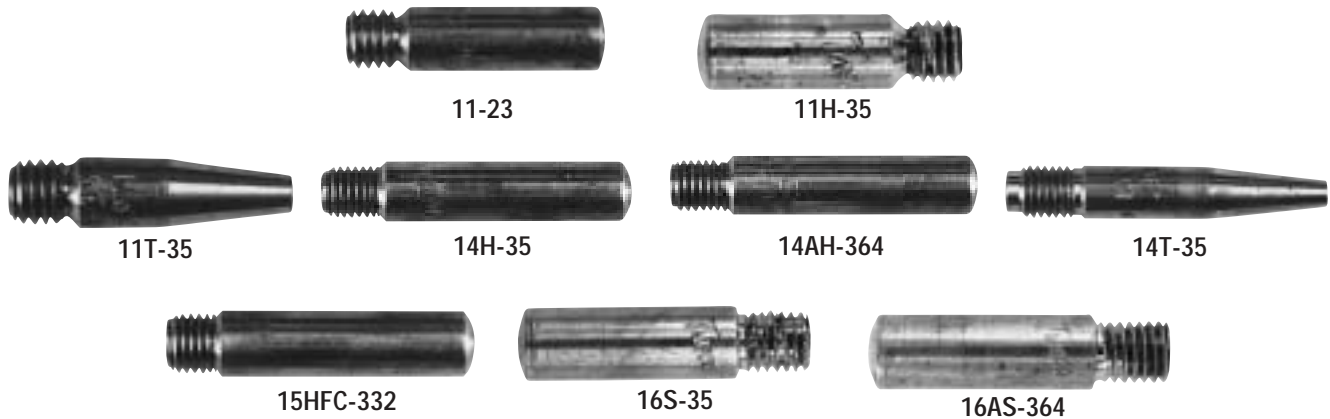
No. 6

NO.6 MIG-GUN ASSEMBLIES WITH 'STANDARD' CONSUMABLES - 600 AMP AIR COOLED

WITH TWECO REAR CONNECTION (REQUIRES ADAPTER PLUG)		DESCRIPTION	WITH EURO-KWIK REAR CONNECTION	
STOCK NO.	PART NO.		STOCK NO.	PART NO.
1060-1207	615-116	1/16-1,6 Wire 15 ft./5 m Cable	N/A	N/A
1060-1217	615-332	3/32-2,4 Wire 15 ft./5 m Cable	N/A	N/A
WITH MILLER REAR CONNECTION		DESCRIPTION	WITH LINCOLN REAR CONNECTION	
STOCK NO.	PART NO.		STOCK NO.	PART NO.
1060-1227	M615-3545	.045/1,2 Wire 15 ft./5 m Cable	N/A	N/A
1060-1232	M615-116	1/16-1,6 Wire 15 ft./5 m Cable	N/A	N/A
1060-1242	M615-332	3/32-2,4 Wire 15 ft./5 m Cable	N/A	N/A

Note: All No.6 Mig-Guns are furnished with 5" Radius conductor tubes.

For All Guns - Standard, Tapered & Heavy Duty Styles



WIRE SIZE INCHES/ METRIC	TIP I.D. INCHES/ METRIC	MINI & NO. 1			NO. 2, 3, & 4			NO. 5		NO. 6
		STANDARD	OPTIONAL HEAVY DUTY	OPTIONAL TAPERED	STANDARD	OPTIONAL HEAVY DUTY	OPTIONAL TAPERED	STANDARD RECESS	OPTIONAL 1/8" RECESS	STANDARD 3/8" TIP H D TIP
.023" 0,6 mm	.031" 0,79 mm	11-23 1110-1100	N/A	11T-23 1110-1300	14-23 1140-1100	N/A	14T-23 1140-1300	N/A	N/A	N/A
.030" 0,8 mm	.038" 0,97 mm	11-30 1110-1101	11H-30 1110-1201	11T-30 1110-1301	14-30 1140-1101	N/A	14T-30 1140-1301	N/A	N/A	N/A
.035" 0,9 mm	.044" 1,12 mm	11-35 1110-1102	11H-35 1110-1202	11T-35 1110-1302	14-35 1140-1102	14H-35 1140-1202	14T-35 1140-1302	15H-35 1150-1202	N/A	16S-35** 1160-1102
.040" 1,0 mm	.048" 1,22 mm	11-40 1110-1103	11H-40 1110-1203	11T-40 1110-1303	14-40 1140-1103	14H-40 1140-1203	14T-40 1140-1303	N/A	N/A	16S-40** 1160-1103
.045" 1,2 mm	.054" 1,37 mm	11-45 1110-1104	11H-45 1110-1204	11T-45 1110-1304	14-45 1140-1104	14H-45 1140-1204	14T-45 1140-1304	15H-45 1150-1204	15HFC-45 1150-1254	16S-45** 1160-1104
.052" 1,3 mm	.064" 1,65 mm	N/A	N/A	N/A	14-52 1140-1105	14H-52 1140-1205	14T-52 1140-1305	15H-52 1150-1205	15HFC-52 1150-1255	16S-52** 1160-1105
1/16" 1,6 mm	.073" 1,85 mm	N/A	N/A	N/A	14-116 1140-1106	14H-116 1140-1206	14T-116 1140-1306	15H-116 1150-1206	15HFC-116 1150-1256	16S-116** 1160-1106
5/64" 2,0 mm	.090" 2,29 mm	N/A	N/A	N/A	14-564 1140-1109	14H-564 1140-1209	N/A	15H-564 1150-1209	15HFC-564 1150-1259	16S-564** 1160-1109
3/32" 2,4 mm	.106" 2,67 mm	N/A	N/A	N/A	N/A	N/A	N/A	15H-332 1150-1210	15HFC-332 1150-1260	16S-332** 1160-1110
7/64" 2,8 mm	.120" 3,05 mm	N/A	N/A	N/A	N/A	N/A	N/A	15H-764 1150-1211	15HFC-764 1150-1261	16S-764** 1160-1111
1/8" 3,2 mm	.144" 3,66 mm	N/A	N/A	N/A	N/A	N/A	N/A	15H-18 1150-1212	15HFC-18 1150-1262	16S-18** 1160-1112
3/64"AL 1,2 mm	.059" 1,50 mm	N/A	11AH-364 1110-1213	N/A	14A-364 1140-1113	14AH-364 1140-1213	N/A	15AH-364 1150-1213	N/A	16AS-364** 1160-1113
1/16"AL 1,6 mm	.082" 1,85 mm	N/A	N/A	N/A	N/A	14AH-116 1140-1214	N/A	15AH-116 1150-1214	15AHFC-116 1150-1264	16AS-116** 1160-1114

N/A = NOT AVAILABLE ** 16S Tips—when used in No. 5 Mig-Guns require a 55S style diffuser. Use 55S-SWL or 55S-HL for 5/32" tip recess. Use 55S-SW or 55S-H for 3/8" tip recess.

Standard Nozzles & Nozzle Insulators for all Guns



21-50



21T-37



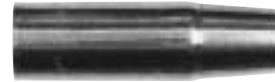
22T-37-SS



21-50-F



22-62



23-62-F



22-50-SS



23-62



23T-37

GUN MODEL	NOZZLE STYLE	INSULATOR	3/8"/9,5 mm BORE	1/2"/12,7 mm BORE	5/8"/15,9 mm BORE	3/4"/19,1 mm BORE
21 SERIES						
Mini-Mig-Gun (Standard)	(Self-Insulated) (tip flush)	" "	21-37-F 1210-1102	21-50-F 1210-1112	21-62-F 1210-1122	N/A
No. 1 (Standard)	(Self-Insulated) (1/8" tip recess)	N/A	21-37 1210-1100	21-50 1210-1110	21-62 1210-1120	N/A
	Optional (Tapered) (Self-Insulated) (1/8" tip recess) (tip flush)	" "	21T-37 1210-1300 21T-37-F 1210-1302	N/A	N/A	N/A
22 SERIES						
No.2 (Standard)	(Adjustable) (recess to projection)	0032 1320-1100	N/A	22-50 1220-1110	22-62 1220-1120	N/A
	Optional (Short-Stop) (1/8" tip recess)	" "	22-37-SS 1220-1301	22-50-SS 1220-1111	22-62-SS 1220-1121	N/A
	Optional (Tapered) (tip flush)	" "	22T-37-SS 1220-1522	N/A	N/A	N/A
23 SERIES						
No. 3 (Standard)	(Self-Insulated) (1/8" tip recess)	N/A	23-37 1230-1100	23-50 1230-1110	23-62 1230-1120	23-75 1230-1130
	Optional (Self-Insulated) (tip flush)	N/A	23-37-F 1230-1102	23-50-F 1230-1112	23-62-F 1230-1122	23-75-F 1230-1132
	Optional (Heavy Duty) (Self-Insulated) (1/8" tip recess)	N/A	N/A	23H-50 1230-1210	23H-62 1230-1220	23H-75 1230-1230
	Optional (Heavy Duty) (Self-Insulated) (tip flush)	N/A	N/A	N/A	23H-62-F 1230-1222	N/A

Standard Nozzles & Nozzle Insulators - All Guns



24A-50



24AH-62



24A-62-SS



24AT-37-SS



24CT-62-S



24CT-62-F



25I-75



34A



34CT



35CT

GUN MODEL	NOZZLE STYLE	INSULATOR	3/8"/9,5 mm BORE	1/2"/12,7 mm BORE	5/8"/15,9 mm BORE	3/4"/19,1 mm BORE
24 SERIES						
No. 4 (Standard)	(Adjustable) (recess to projection)	034A 1340-1100	N/A	24A-50 1240-1110	24A-62 1240-1120	24A-75 1240-1130
	Optional (Short Stop) (1/8" tip recess)	034A 1340-1100	24A-37-SS 1240-1101	24A-50-SS 1240-1111	24A-62-SS 1240-1121	24A-75-SS 1240-1131
	Optional (SS Tapered) (1/8" tip recess)	034A 1340-1100	24AT-37-SS 1240-1301	N/A	N/A	N/A
	Optional (Heavy Duty) (adjustable)	034A 1340-1100	N/A	24AH-50 1240-1210	24AH-62 1240-1220	24AH-75 1240-1230
	Optional (Heavy Duty) (short stop)	034A 1340-1100	N/A	24AH-50-SS 1240-1211	24AH-62-SS 1240-1221	24AH-75-SS 1240-1231
	Optional (Coarse Thread) (1/8" tip recess)	34CT 1340-1400	24CT-37-S 1240-1404	24CT-50-S 1240-1414	24CT-62-S 1240-1424	24CT-75-S 1240-1434
	Optional (Coarse Thread) (tip flush)	34CT 1340-1400	N/A	24CT-50-F 1240-1412	24CT-62-F 1240-1422	N/A
	Optional (Coarse Thread) (1/2" tip recess)	34CT 1340-1400	N/A	N/A	24CT-62-R 1240-1423	24CT-75-R 1240-1433
25 SERIES						
No. 5 (Standard)	(Coarse Thread) (1/8" tip recess)	35CT 1350-1400	N/A	25CT-50 1250-1410	25CT-62 1250-1420	25CT-75 1250-1430
	Optional (Self-Insulated) 1/8" tip recess	N/A	N/A	N/A	25I-62 1250-1120	25I-75 1250-1130
26 SERIES				5/8"/15,9 mm BORE	3/4"/19,1 mm BORE	7/8"/22 mm BORE
No. 6 (Standard)	(Self-Insulated) 1/8" tip recess	N/A	26I-62 1260-1120	26I-75 1260-1130	26I-87 1260-1140	N/A
	Optional (Coarse Thread) (1/8" tip recess)	36CT	N/A	26CT-62 1260-1420	26CT-75 1260-1430	N/A

Optional Arc Spot - Nozzles & Standards Diffusers



25CT-125-FAS



22-62-OAS



21-62-FAS

TYPE	MINI & NO. 1	NO. 2	NO. 3	NO. 4	NO. 5
Flat Arc Spot	21-62-FAS 1210-1520 (5/8" Bore)	22-62-FAS 1220-1520 (5/8" Bore)	23-75-FAS 1230-1530 (3/4" Bore)	24A-62-FAS 1240-1520 (5/8" Bore) 24A-75-FAS 1240-1530 (3/4" Bore) 24A-100-FAS 1240-1550 (1" Bore)	25CT-125-FAS 1250-1560 (1-1/4" Bore) 25CT-162-FAS 1250-1570 (1-5/8" Bore)

Standard Diffusers



35-50



0051



0052



0055



55SW



55S-SWL

MINI-MIG-GUN	NO. 1	NO. 2	NO. 3 & 4	NO. 5		
35-50 1500-1100 (Standard)	0051 1510-1101 (Standard)	0052 1520-1101 (Standard)	054A 1540-1103 (Standard)	55SW 1550-1101 (Note: 1)	55S-SW 1550-1110 (Note: 1)	1550-1120 (Note: 1)
35-50A 1500-1101 (use with AL Wire)	51-23 1510-1100 (use with .023 Wire)	52-23 1520-1100 (use with .023 Wire)	054K with slip in tips	0055 1550-1100 (Note: 2)	(Use with 16S tips = 3/8 tip recess)	(Use with 16S tips = 1/8 tip recess)
		52FN 1520-1102 (use with No. 3 & 4 nozzles)		055H 1550-1102 (Note: 3)	55S-H 1550-1111 (Note: 4)	55S-HL1550-1121

Diffusers for No. 5 & 6 Mig-Guns must be used with conduits as follows:

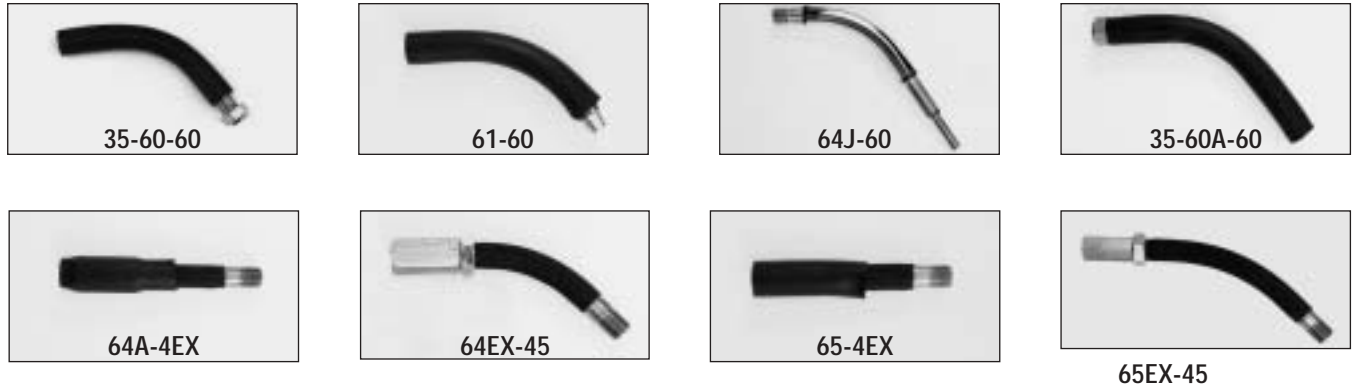
Note: 1 = 45-3545, 45-116, 45N-3545

Note: 2 = 45-564, 45N-116

Note: 3 = 45H-332, 45H-764, 45H-18

Note: 4 = All Note 2 & 3 conduits

Standard Conductor Tubes



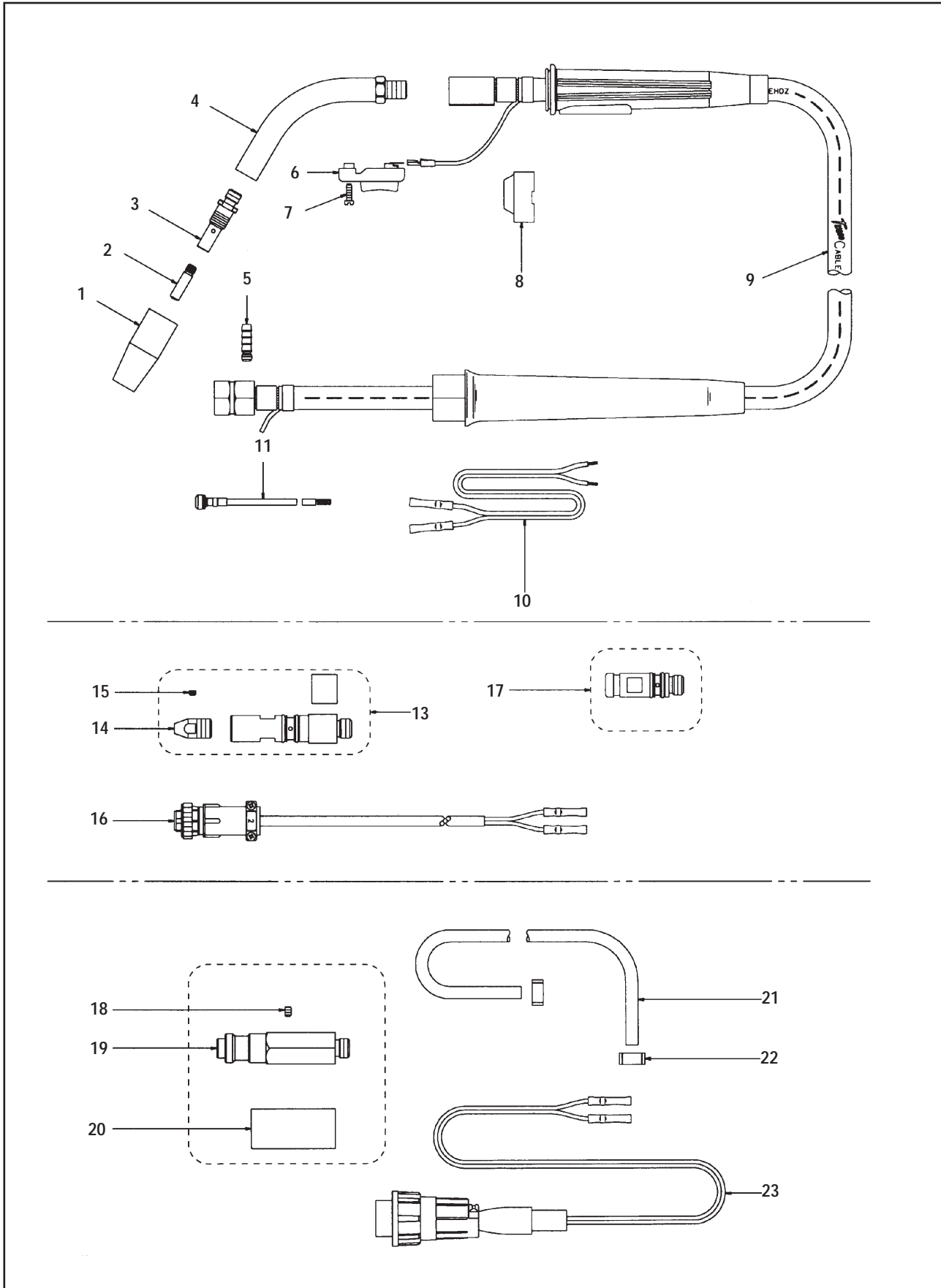
DEGREE/BEND	MINI	NO. 1	NO. 2	NO. 3	NO. 4	NO. 5	NO. 6
						5" RADIUS	5" RADIUS
45°	35-60-45 1600-1101	61-45 1610-1101	62J-45 1620-1300	63J-45 1630-1110	64J-45 1640-1105	65J-45 1650-1110	66J-45 1660-1825
60° (Standard)	35-60-60 1600-1102	61-60 1610-1102	62J-60 1620-1301	63J-60 1630-1111	64J-60 1640-1106	65J-60 1650-1111	66J-60 1660-1826

OPTIONAL STANDARD CONDUCTOR TUBES

MINI-MIG-GUN		CONDUCTOR TUBE EXTENSIONS					
			NO. 3 & 4	NO. 5		NO. 3 & 4	NO. 5
60° For use with Aluminum Wire	35-60A-60 1600-1002	Extension 4" 180°	64A-4EX 1640-1301	65-4EX 1650-1301	Extension 45°	64EX-45 1640-1311	65EX-45 1650-1311
Flexible Conductor Tube	35-60-F 1600-1140	Extension 6" 180°	64A-6EX 1640-1302	65-6EX 1650-1302	Extension 60°	64EX-60 1640-1312	65EX-60 1650-1312
		Extension 8" 180°	64A-8EX 1640-1303	65-8EX 1650-1303	Extension 80°	64EX-80 1640-1313	

Note: Extensions are designed to fit standard conductor tubes. Conduits must be replaced when installing conductor tube extensions.

Mini MIG Gun Replacement Parts

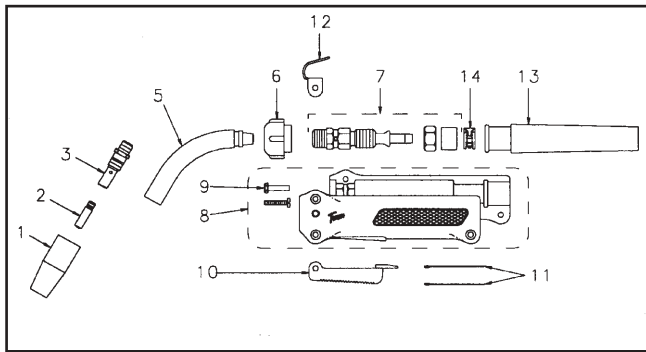


Mini MIG Gun Replacement Parts

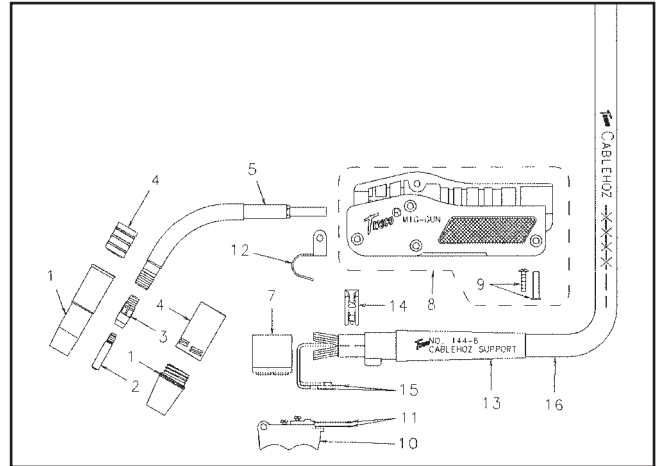
ITEM NO	STOCK NO	PART NO	DESCRIPTION
1	S/C	S/C	NOZZLES
2	S/C	S/C	CONTACT TIPS
3	S/C	S/C	DIFFUSERS
4	S/C		S/C CONDUCTOR TUBES
5	2000-2081	35-80A-1	Handle Cap
6	2000-2090	35-90	Trigger
7	2040-2097	94D-1	Screw
8	1700-2126	35-010A	Cable Assembly 10 ft. Cable with Handle & Support
8	1700-2127	35-012A	Cable Assembly 12 ft. Cable with Handle & Support
8	1700-2128	35-015A	Cable Assembly 15 ft. Cable with Handle & Support
8	1700-2129	35-020A	Cable Assembly 20 ft. Cable with Handle & Support
9	2000-2175	35-170-5	Gas Nipple
10	2000-2352	35K-350-1	Control Wire
11	S/C	S/C	CONDUITS
12	2000-2810	170M	Miller Connector Plug
13	2040-2184	174M-N	Miller Connector Plug End Cap
14	2040-2044	044C	Set Screw
15	2602-2402	MK-354-M	Miller Control Wire Plug Assembly
16	2000-2169	35K-174C	Tweco Standard Connector Plug
17	2000-2811	170L	Lincoln SP100 Connector Plug
18	2040-2044	044C	Set Screw
19	2641-2030	TLAK-352	Lincoln SP200 Connector Plug
20	2642-2210	LAK-352-1	Lincoln Connector Plug Insulator
21	2602-2303	MK-353-24	Gas Hose, 18"
22	2642-2302	AK-353-2A	Hose Clamp
23	2000-2354	35SP-354	Lincoln Control Wire Assembly

S/C = See Consumable Parts Listing

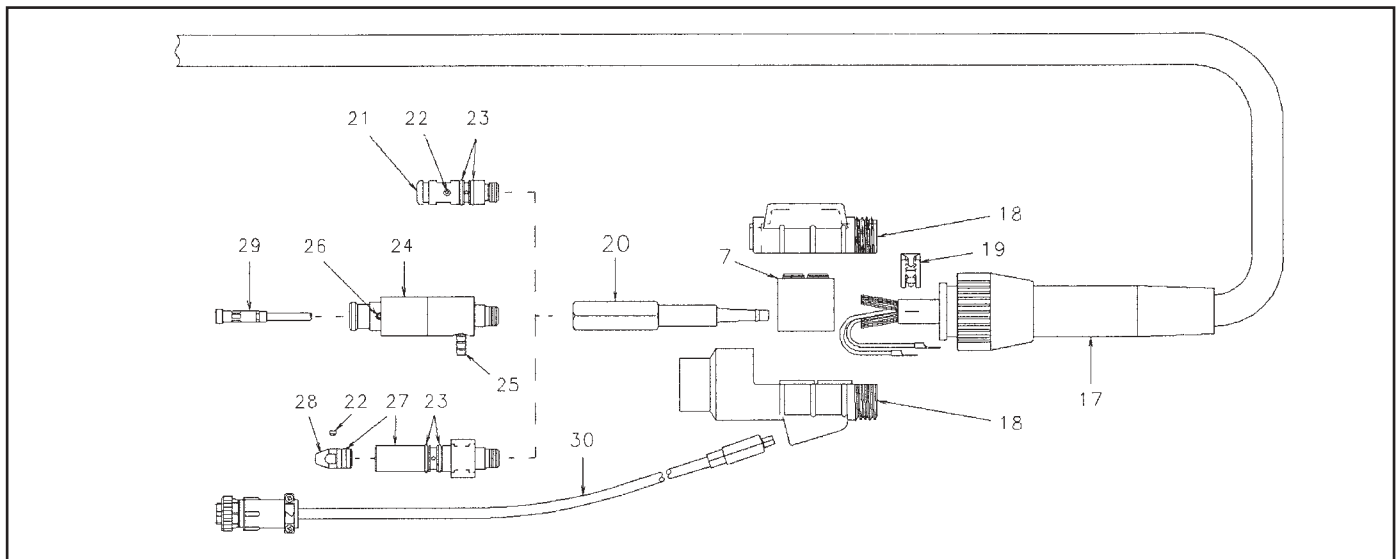
No. 1, 2, 3, 4, 5 & 6 MIG Gun Replacement Parts



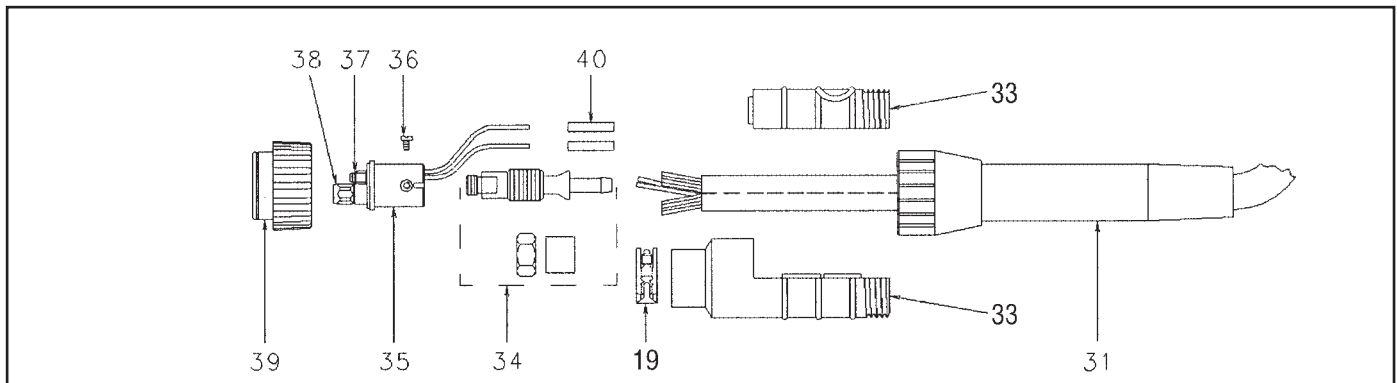
NO. 1 MIG GUN



NO. 2, 3, 4, 5, & 6 MIG GUN



ALL TWECO, MILLER & LINCOLN DIRECT PLUG MIG GUNS



ALL EURO-KWIK MIG GUNS

No. 1, 2, 3, 4, 5 & 6 MIG Gun Replacement Parts

NO.	DESCRIPTION	NO. 1	NO. 2	NO. 3	NO. 4	NO. 5	NO. 6	
1	NOZZLES	Standard Consumable Parts						
2	CONTACT TIPS	Standard Consumable Parts						
3	DIFFUSERS	Standard Consumable Parts						
4	NOZZLE INSULATORS	Standard Consumable Parts						
5	CONDUCTOR TUBES	Standard Consumable Parts						
6	Conductor Tube Retaining Nut	061R 2010-2061	N/A					
7	Front Power Connector	101R 2010-2103	0102 2020-2102		0104 2040-2104			
7	Rear Power Connector	0104 2040-2104						
8	Handle	0081 2010-2081	0083 2030-2083		084A 2040-2084	0085 2050-2085		
9	Handle Binder Post & Screw		122FM 2020-2122		124FM 2040-2124			
10	Trigger Assy	0091 2010-2091	0092 2020-2092		094R 2040-2096			
11	Trigger Blades (2 ea.)	091C 2010-2093	092C 2020-2094		094C 2040-2093			
12	Gun Hanger	0152 2020-2152			0154 2040-2154			
13	Front Cable Support	141-6 2010-2141	142-6 2020-2142		144-6 2040-2144	145-6 2050-2145		
14	Front Cable Clamp	132-12 2020-2132			134-14 2040-2134			
15	Front Control Terminals	244DS 2040-2245	0244 2040-2244					
16	Cablehoz, per ft.	0200 1720-2100		0300 1730-2100	0400 1740-2100	0500 1750-2100	600S 1760-2100	
17	Rear Support (except Euro-Kwik)	350R-230-10 2035-2235						
18	Rear Case (except Euro-Kwik)	M6RC 2060-2018						
19	Rear Cable Clamp	132-12 2020-2132		134-14 2040-2134				
20	Power Cable Adapter (except Euro-Kwik)	M170-2 2020-2171						
21	Tweco Connector Plug	350-174 2035-2174						
22	Set Screw	044C 2040-2044						
23	O-rings	0224 2040-2224				0225 2050-2225		
24	Lincon Connector Plug Direct Plug Gun	174TL-L 2035-2132				EL176-L 2060-2624		
25	Gas Nipple	35-170-5 2000-2175						
26	Set Screw	044C 2040-2044						

No. 1, 2, 3, 4, & 5 MIG Gun Replacement Parts

NO.	DESCRIPTION	NO. 1	NO. 2	NO. 3	NO. 4	NO. 5	NO. 6
27	Miller Connector Plug Direct Plug Gun		174TL-M 2035-2131			EL176-M 2060-2625	
28	Miller Connector Plug End Cap		174M-N 2040-2184			175M-N 2050-2178	
29	CONDUIT	See Following Page					
30	Tweco Control Wire Plug, not furnished with gun			AK-354 2642-2400			
30	Lincoln Control Wire Plug, furnished with direct plug gun			LAK-354 2642-2450			
30	Miller Control Wire Plug, furnished with direct plug gun			MSAK-354 2642-2470			
31	REAR Support (Euro-Kwik Guns)			350R-230-10 2035-2235			
33	REAR Case (Euro-Kwik Guns)			X6RC 2060-2006			
34	Power Connection (Euro-Kwik Guns)		172X-M 2020-2181			176X-M 2060-2181	
35	REAR Connector (Euro-Kwik Guns)			174EX-1 2040-2276			
36	Screw			4M-S 2011-2004			
37	O-ring Euro-Kwik Guns			174EX-1G 2040-2282			
38	Conduit Cap Euro-Kwik Guns			174EX-1C 2040-2279			
39	Connector Nut Euro-Kwik Guns			174X-2 2040-2177			
40	Butt Connectors			35-350-1 2000-2351			

Wire Conduits For All Guns

WIRE SIZE	MINI-MIG-GUN (ALL MODELS)		NO. 1 & 2 (ALL MODELS)		NO. 3 & 4 (ALL MODELS & NO.5 X-GUNS)		NO. 5 & 6 (ALL EXCEPT X-GUNS)	
	15 ft./5 m	20 ft./6 m	15 ft./5 m	25 ft./7,6 m	15 ft./5 m	25 ft./7,6 m	15 ft./5 m	25 ft./7,6 m
.023 0,6 mm	23-40-15 1400-1123	N/A	42-23-15 1420-1103	N/A	N/A	N/A	N/A	N/A
.030 - .035 0,8 - 0,9 mm	35-40-15 1400-1133	35-40-20 1400-1134	42-3035-15 1420-1113	42-3035-25 1420-1115	N/A	N/A	N/A	N/A
.040 - .045 1,0 - 1,2 mm	45-40-15 1400-1143	45-40-20 1400-1144	42-4045-15 1420-1123	42-4045-25 1420-1125	N/A	N/A	N/A	N/A
.035 - .045 0,9 - 1,2 mm	N/A	N/A	N/A	N/A	44-3545-15 1440-1103	44-3545-25 1440-1105	45-3545-15 1450-1103	45-3545-25 1450-1105
.052 - 1/16 1,3 - 1,6 mm	N/A	N/A	N/A	N/A	44-116-15 1440-1113	44-116-25 1440-1115	45-116-15 1450-1113	45-116-25 1450-1115
5/64 2,0 mm	N/A	N/A	N/A	N/A	44-564-15 1440-1123	44-564-25 1440-1125	45-564-15 1450-1123	45-564-25 1450-1125
3/32 2,4 mm	N/A	N/A	N/A	N/A	N/A	N/A	45H-332-15 1450-1133	N/A
7/64 2,8 mm	N/A	N/A	N/A	N/A	N/A	N/A	45H-764-15 1450-1143	N/A
1/8 3,2 mm	N/A	N/A	N/A	N/A	N/A	N/A	45H-18-15 1450-1153	N/A
.030 - .035 AL 0,8 - 0,9 mm	35TF-40-10** 1400-1031	N/A	42N-3545-15 1420-1003	N/A	44N-3545-15 1440-1003	N/A	45N-3545-15 1450-1003	N/A
.040 - 3/64 AL 1,0 - 1,2 mm	45TF-40-10** 1400-1041	N/A	42N-3545-15 1420-1003	N/A	44N-3545-15 1440-1003	N/A	45N-3545-15 1450-1003	N/A
1/16 AL 1,6 mm	N/A	N/A	N/A	N/A	44N-116-15 1440-1012	N/A	45N-116-15 1450-1013	N/A

**TF Liners Not Recommended for Lengths over 10 ft./3 m



35TF-40-10



42-3035-15



44-3545-15